

FEATURES

- AMBA® APB Compatible
- Up to 32 independent interrupt sources
- FIQ and IRQ outputs
- Single bit enable and clear control

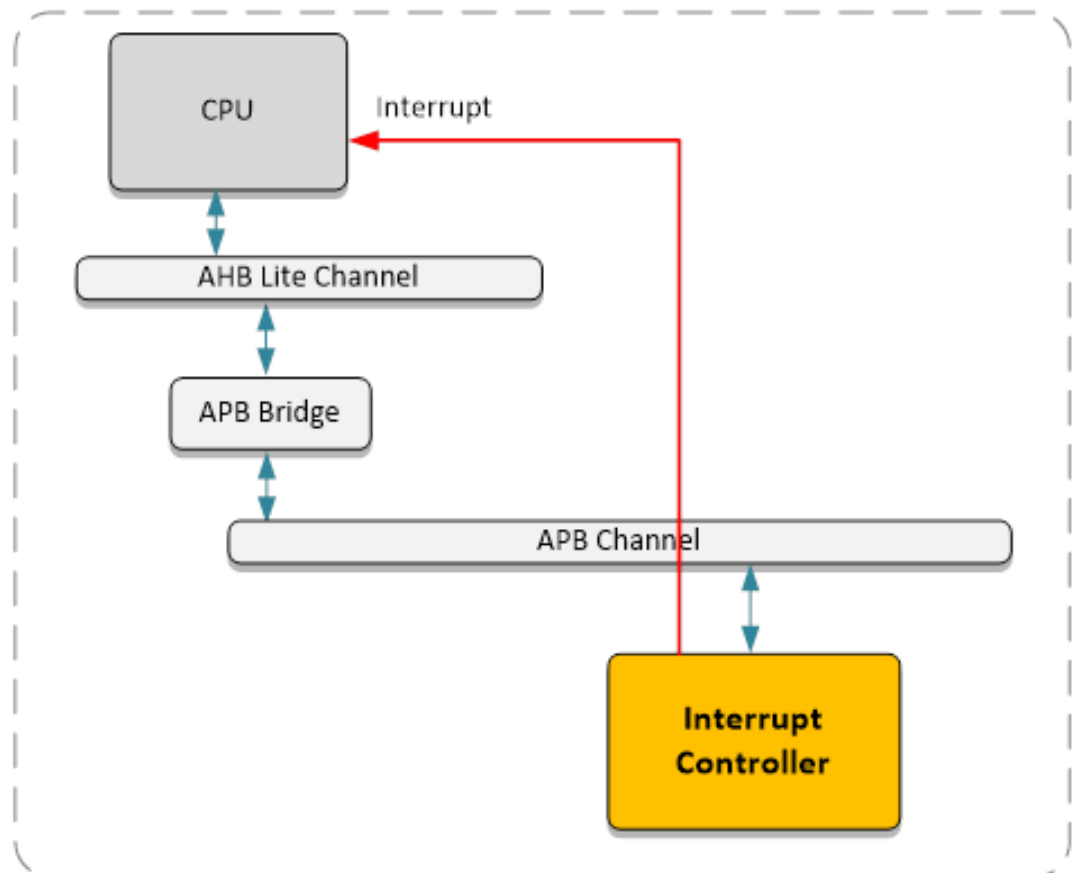
LICENSED IP PACKAGE INCLUDES

- Verilog Source
- Complete Test Environment
- AHB Bus Functional Model
- C-Sample Code

DESCRIPTION

The interrupt controller monitors interrupts from all other modules within the system and issues interrupt requests to the processor when necessary. The interrupt controller is scalable to support from 1 to 32 interrupt sources. It also provides enable set and enable clear mechanisms to prevent dangerous read-modify-write operations. It provides active high & active low IRQ & FIQ interrupt request outputs.

GENERAL USE



You may also be interested in:

AMBA® Subsystems

- [Low Power Subsystem \(simple AHB system\)](#)
- [Low Power / Performance Subsystem \(includes AHB Multi-matrix Fabric\)](#)
- [Custom Performance Subsystem \(includes AXI Multi-layer Fabric\)](#)

IP Cores

Infrastructure Cores

AHB Multi-Matrix Fabric
AHB/AHBLite Channel
AHB Arbiter
AXI Multi-Layer Fabric
AXI to AHBLite Bridge
AXI to APB Bridge
AHB to ABP Bridge
APB Channel

AXI Cores

AXI Multi-Layer Fabric
AXI to AHBLite Bridge
AXI to APB Bridge
AXI External Bus Interface
(Memory/Flash Controller)
AXI Internal Memory Controller
AXI QSPI with Execute in Place (XIP)

AHB Cores

AHB Channel
AHB Multi-Matrix Fabric
AHB to ABP Bridge
AHB Arbiter
AHB QSPI with Execute in Place (XIP)
AHB External Bus Interface
AHB Internal SRAM Controller
AHB Interrupt Controller
AHB DMA Controller
AHB DMA 4 Channel Controller
AHB TFT LCD Controller
AHB DES/TDES Encryption/Decryption

AHB Serial Flash Controller
Octal, Quad, Dual and Single Modes

Serial to AHB Bridge
SPI slave to AHB Master
Monitor/Control

APB Cores

APB Channel
APB Quad SPI Controller
APB General Purpose IO
APB Timer
APB UART
APB I2C (Master and Slave)
APB SPI
APB Watchdog Timer
APB Pulse Width Modulator
APB Real Time Clock

General

DES – Digital Encryption Standard
Triple DES (Low Gates)
Triple DES (pipelined)
ADC Interface (semi-custom)
Mixed-Signal Interfaces (semi-custom)
Power Management Unit (semi-custom)

AES Encryption Core

For more information contact



sales@socsolutions.com